



SLA

FACTORY ACTIVATED

SLA | READY TO START

REF **BB10L-A2/B2**



12v VOLTAGE - v

120A CCA - A (EN)

11.6Ah CAPACITY - Ah (20Hr)

11Ah CAPACITY - Ah (10Hr)

TECHNOLOGY

- Designed according to AGM technology (Absorbed acid)
- VRLA battery type
- Activated and pre-charged batteries
- Homologated by OEM

FEATURES

- AGM construction (Absorbed Glass Material)
- VRLA battery (Valve Regulated Lead Acid)
- Factory activated
- Environmentally friendly, spillproof design
- Multi-positional fitment
- Absolutely Maintenance free
- Sealed, no gas emission through venting hole (under normal operation)
- Ready & Easy to use
- No acid handling - Very safe
- Increased power & Extended life
- Extreme vibration resistance

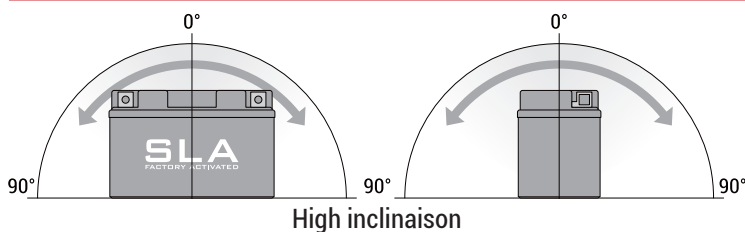
UPGRADE FOR

DRY BB10L-A2 ; BB10L-B2 ; BB10L-BP

WEIGHT

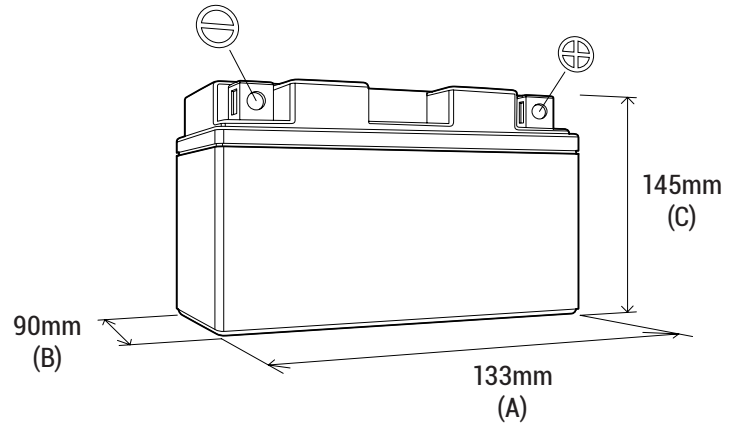
Battery (with acid): Approx 4.10kg

MOUNTING ANGLE

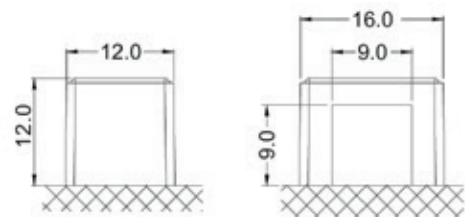


DIMENSIONS

Length (A):	133 ±2mm
Width (B):	90 ±2mm
Container height:	145 ±2mm
Total height (C):	145 ±2mm

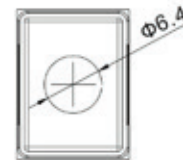


TERMINALS (mm)



FRONT

SIDE



TOP